

Model 781MR

Current Transformer with Multi-Ratio Window Diameter 6.50"

Application

Relaying and Metering.

Frequency

50-400 Hz.

Insulation Level

600 Volts, 10 kV BIL full wave.

Continuous Thermal Current Rating Factor

Secondary terminals are brass screws No. 10-32 with one flatwasher, lockwasher, accessible from either side.

Approximate weight 30 lbs.

Excitation data available upon request.



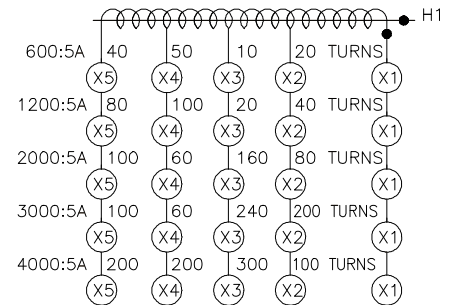
REGULATORY AGENCY APPROVALS



Manufactured to meet the requirements of ANSI/IEEE C57.13. Classified by U.L. in accordance with IEC 44-1

Model 781MR

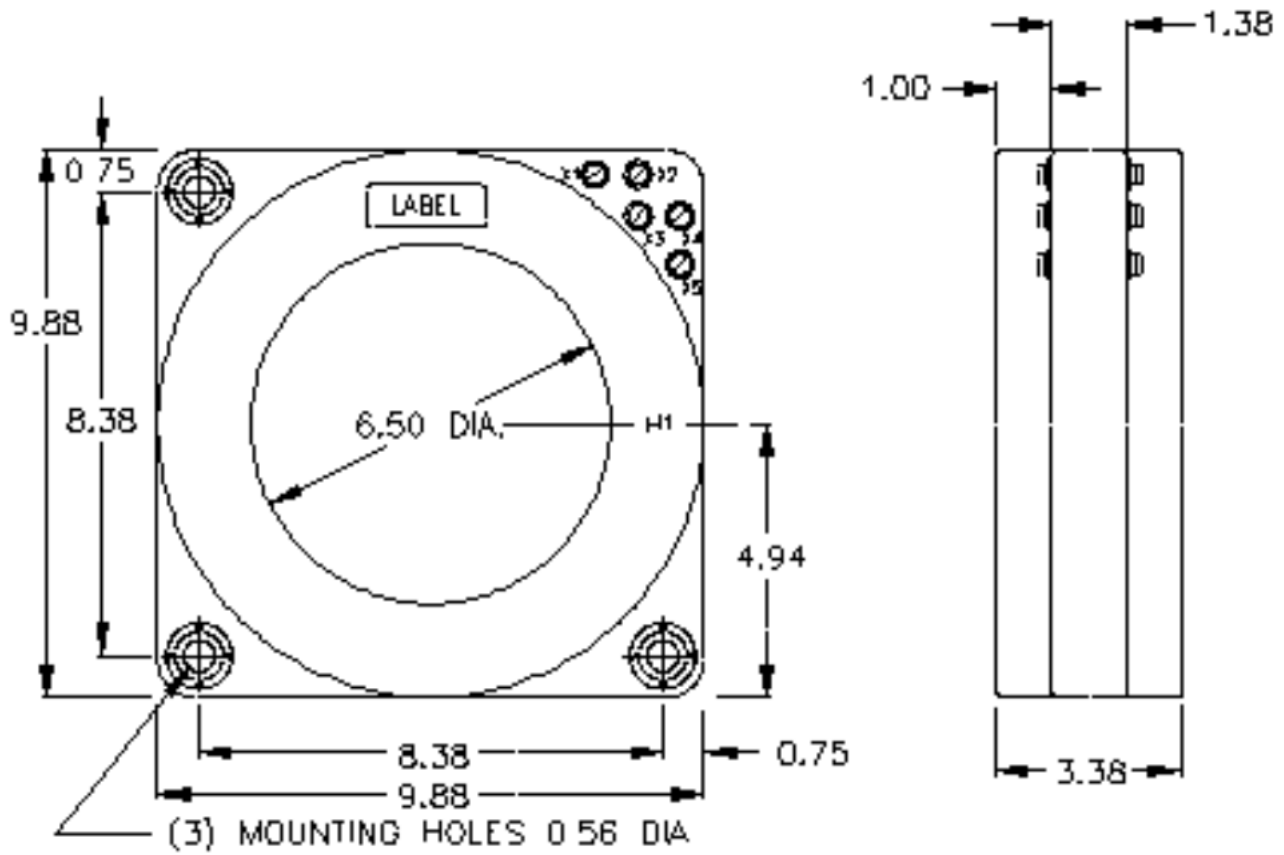
Catalog Number	Relay Class	ANSI Metering Class at 60 Hz	Continuous Thermal Rating Factor	
			@30 °C	@55 °C
781-601MR	C100	0.3B0.5	2.0	1.5
781-122MR	C200	0.3B1.8	2.0	1.5
781-202MR	C200	0.3B1.8	2.0	1.5
781-302MR	C200	0.3B1.8	1.5	1.33
781-402MR	C200	0.3B1.8	1.0	0.8



CONNECTION DIAGRAM



Model 781MR



Grid-AIS-L4-ITL_Model_781MR-1364-2017_06-EN. © Copyright 2017. General Electric Company and Instrument Transformers LLC reserve the right to change specifications of described products at any time without notice and without obligation to notify any person of such changes.

